

4 SP6T Latching Self-terminated 18 GHz Relays

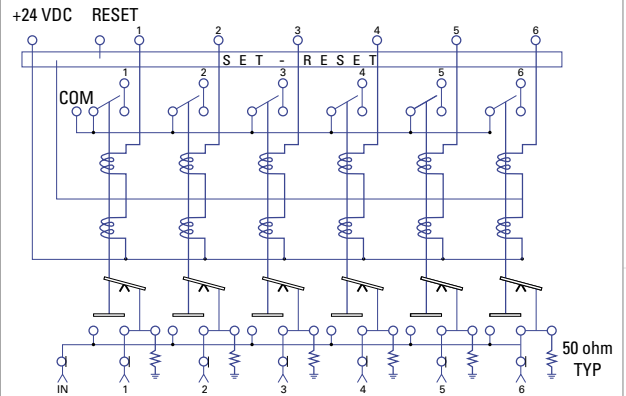
Overview

The SM7001L is part of the SMIP//™ family, offering the extensive control and interfacing features provided by SMIP//™. Microwave relay technology has been pioneered to offer density, modularity and cost benefits.

The SM7001L base unit can house up to 4 microwave 18 GHz latching, self-terminated multi-position relays. In order to drive additional RF/Microwave components, such as attenuators, 32 SPST relays (non-latching) are also provided per SM7001L.

Each SP6T relay includes isolated indicator circuitry, allowing the status of the relays to be read directly via the VXI backplane. Even after power is cycled, this allows users to determine the relay position.

The SM7001L can be easily modified to house alternative microwave building blocks and controlled using the same instrument drivers and control logic found throughout the SMIP//™ family. Since the combination of relays is vast, not all configurations have been listed. The 7374L relays are “pluggable” from the front, allowing them to be easily replaced for maintainability. They may be purchased separately for configuration growth during integration.



Specifications

7374L 18 GHz Self-terminated 1 x 6

Maximum Power Handling (CW):	< 100 W @ 3 GHz < 40 W @ 18 GHz < 1 W into termination
Switching Time:	<15 ms
RF Impedance:	50 Ω
Connectors:	SMA

Frequency (GHz)	dc-3	3-8	8-12.4	12.4-18
Isolation (dB min)	80	70	60	60
Insertion Loss (dB max)	0.2	0.3	0.4	0.5
VSWR min	1.2:	1.3:1	1.4:	1.5:1

Features

dc to 18 GHz

Designed for Applications (i.e., Space, Communications) that Require a Continuous Signal During Power Cycles

Up to 4 Latching Self-terminated 1x6 18 GHz Relays per SM7001L

Microwave Building Blocks are “Pluggable” from the Front of the VXIbus Card

Switches Include Indicator Circuitry for Real-time Status FeedBack

An Additional 32 SPST Relays are Provided to Drive External Devices such as Attenuators

Ordering Information

SM7001L

SM7001L
7374L

Double-slot Base unit
SP6T 18 GHz latching,
self-terminated relay